

ABOUT TIMES-7

Times-7 is a high-tech company specialising in the design and manufacture of RAIN (UHF) RFID antennas, based in Lower Hutt, New Zealand. We export all over the world either direct or through our distributor, authorized reseller and integrated solutions provider network. Our brand is well-established in the global RFID market, and we are known for high quality and reliability, as well as our significant RF expertise.

Founded in 2006, Times-7 has developed the largest portfolio of fixed RAIN RFID reader antennas. As well as standard antennas for all applications, Times-7 also offers a custom antenna development service, when the requirements are not fully satisfied by our catalogue antennas.

Times-7 Research Ltd
29 Railway Avenue
Lower Hutt 5010
New Zealand

NEW ZEALAND
P: +64 4 974 6566

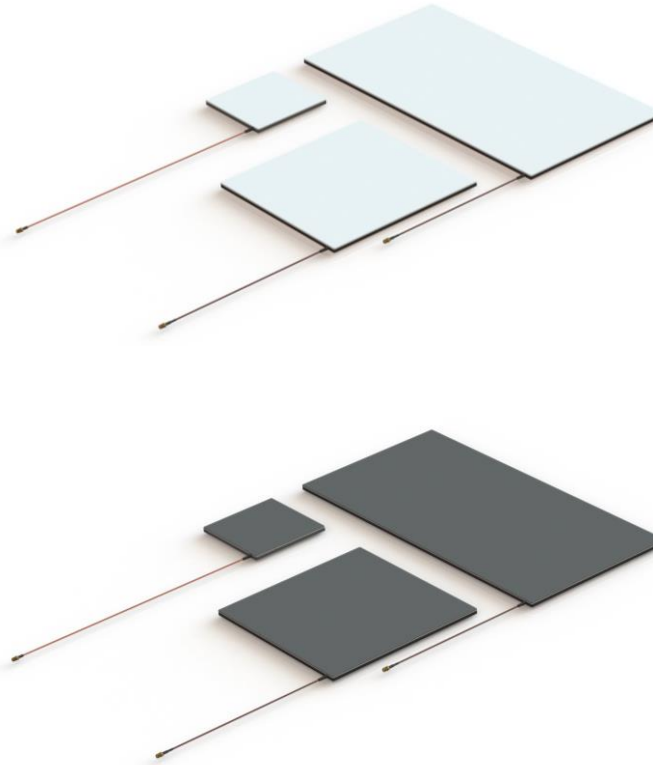
USA/CANADA
P: +1 408 769 5025

E: sales@times-7.com

www.times-7.com



Patent Info: times-7.com/patents



Offers *True NearField™* read zones

Available in three different sizes from compact to very large

No surface dead zones

Black or white radome available

A1115, A1130 and A1163 *True NearField™* antennas available in black and white.

The new *True NearField™* Antenna Series is explicitly designed for applications, which require “near zone only” tag detection or involve metals, liquid and other challenging materials that are hard to be detected by a far-field antenna. With radiative near-field components and no surface dead spots, the Times-7 *True NearField™* antennas provide reliable tag reads within a very constricted read zone.

Thanks to the unique antenna design the *True NearField™* antenna series offers three dimensions. From a compact 150 x 150 mm to a large 300 x 600 mm footprint. Furthermore, they are available in black or white.

All three antennas provide integrated mounting holes on the rear side, which can be drilled through for using mounting screws. In addition, each antenna is provided with an optional self-adhesive rubber feet kit to stop the antenna from slipping.

Specifications

Physical / Environmental Specifications

	A1115	A1130	A1163
Dimensions: Length (x) x Width (y) x Depth (z)	150 mm x 150 mm x 8.6 mm 5.90" x 5.90" x 0.34"	300 mm x 300 mm x 8.6 mm 11.81" x 11.81" x 0.34"	600 mm x 300mm x 8.6mm 23.62" x 11.81" x 0.34"
Unit Boxed Dimensions: (L x W x D)	285 mm x 235 mm x 15 mm 11.22" x 9.25" x 0.59"	335 mm x 315 mm x 35 mm 13.18" x 12.40" x 1.37"	620 mm x 335 mm x 30 mm 24.40" x 13.18" x 1.18"
Weight:	Net: 0.154kg / 0.34 lbs. Gross: 0.183 kg / 0.41 lbs.	Net: 0.58 kg / 1.27 lbs. Gross: 0.784 kg / 1.72 lbs.	Net: 1.175kg / 2.59 lbs. Gross: 1.491 kg / 3.29 lbs.
Radome Material:	Fire retardant ABS (available in black and white, see order information)		
Environmental Rating:	IP54		
Operating Temperature:	0° to +50°C / -30° to +50°C		
Storage Temperature:	+32° to +122°F / -22° to +122°F		
Mounting:	Integrated mounting holes on the backside of the antenna (refer to mechanical drawings) / Optional rubber feet included (20 x 20 x 1.45 mm)		
Connector and cable type:	SMA female side fly lead (482mm, 19" / RG316 cable)		

Electrical Specifications

	A1115	A1130	A1163
Frequency Range:	865-867 MHz, 902-928 MHz		
VSWR	1.95 typical		
Nominal Impedance:	50 Ω		
Maximum Input Power:	3 W		
Antenna Detection	10K Ω Resistance		
Anti-static protection	Yes, DC Grounded		

View antenna planes for A1115, A1130 & A1163 [here](#)

Ordering Information

(please quote both product code, band/cable type & part no.)

*Antenna Product Code	Band	Part No. BLACK	Part No. WHITE
A1115	ETSI 865-867 MHz	72027	72029
A1115	FCC 902-928 MHz	72028	72030
A1130	ETSI 865-867 MHz	72022	72025
A1130	FCC 902-928 MHz	72023	72026
A1163	ETSI 865-867 MHz	72031	72033
A1163	FCC 902-928 MHz	72032	72034
Cable Accessories Product Code	Cable Type	Part No.	
Cable 2 m, SMA to RPTNC	T7 195 / 240 / 400	71436 / 71782 / 72042	N/A
Cable 4 m, SMA to RPTNC	T7 240 / 400	71784 / 72043	N/A
Cable 6 m, SMA to RPTNC	T7 240 / 400	71904 / 72044	N/A
Cable 8 m, SMA to RPTNC	T7 240 / 400	71788 / 72045	N/A

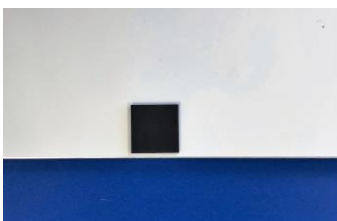
*Built in New Zealand. ROHS & CE compliant.

View the Times-7 Cable Accessory datasheet [here](#)

Mounting Information



Integrated mounting hole.



Self-adhesive rubber feet.

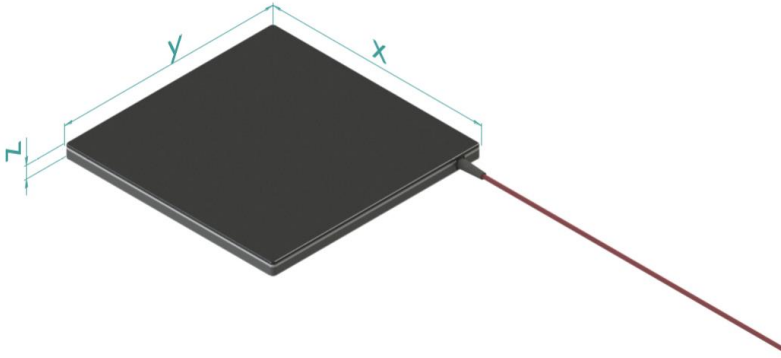
All models of the *True-NearField™* antenna series can be flush mounted on flat surfaces using mounting screws or VESA mounted using the mounting plates designed for the *NearField™* Antenna Series. Each antenna provides mounting holes, which are only visible on the rear side of the antenna. Please refer to the mechanical drawings for the exact position. These holes can be drilled through without damaging the product or interfering with the performance. For further assistance please go to our [mounting guide](#).

If drilling through the surface of the antenna is not an option, each antenna is provided with a self-adhesive rubber feet kit. These can be attached over the integrated mounting holes to stop the antenna from slipping.

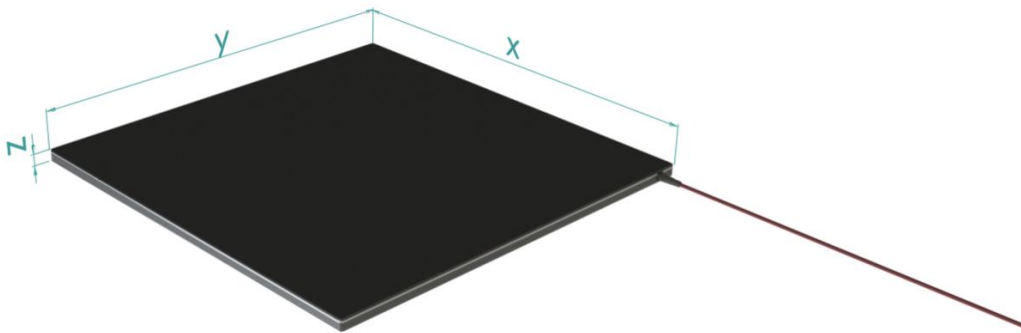
Installation Instructions

- Ensure that only finger tightness is used for the SMA connector. Use of tools to tighten the connector will apply excessive force and will damage the connector.
- Avoid any load or bending force from the cable on the connector.

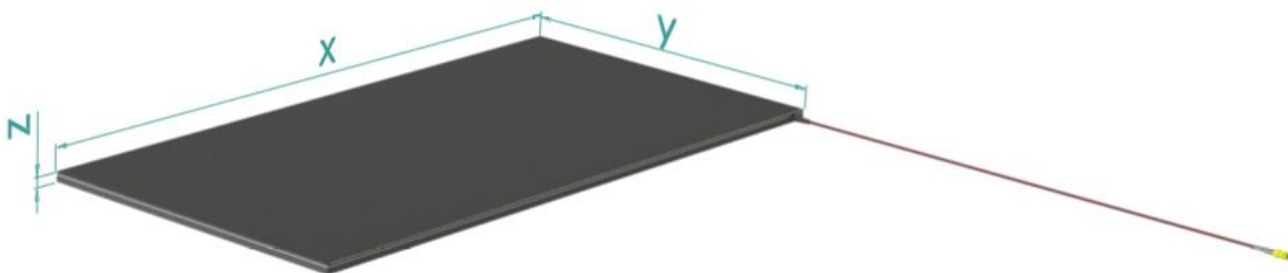
Antenna Planes - A1115

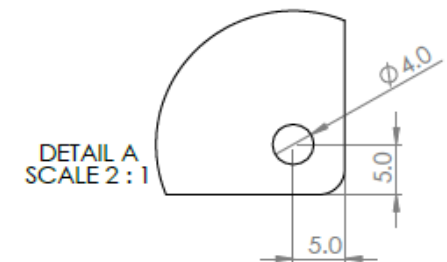
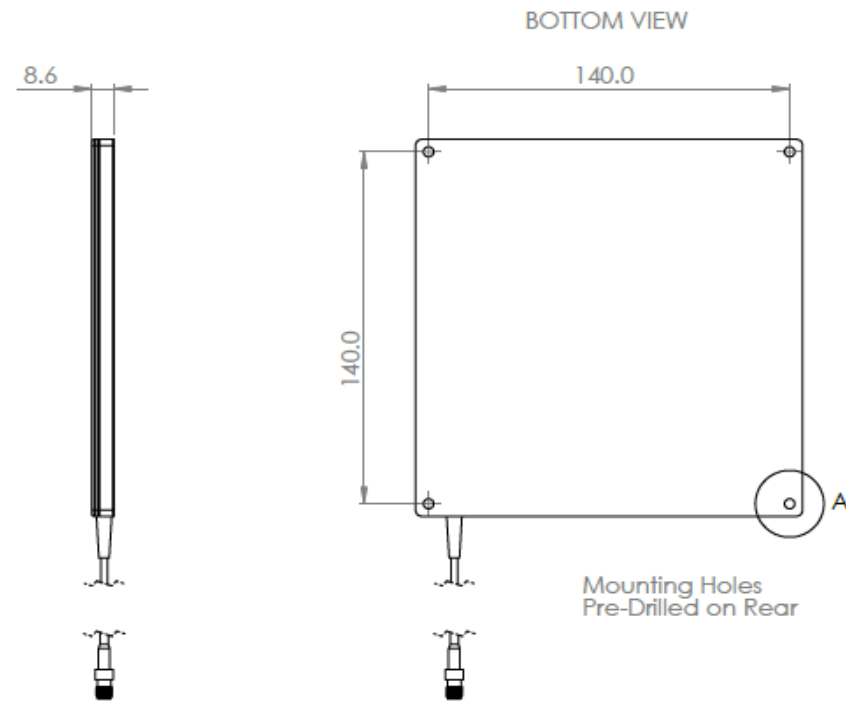
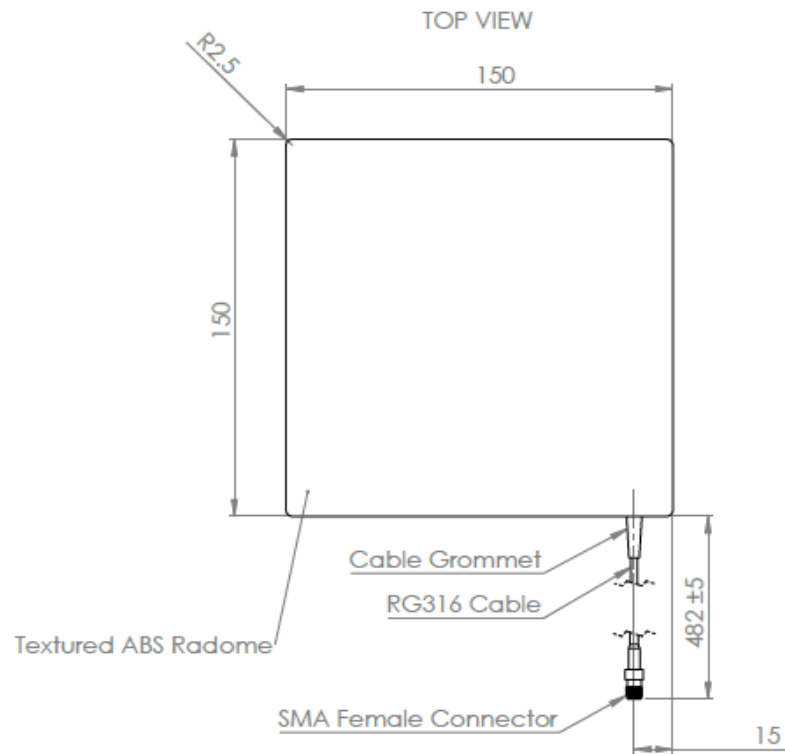


Antenna Planes - A1130



Antenna Planes - A1163





Part No.	Description
72027-FG	A1115 Antenna ETSI - BLACK
72028-FG	A1115 Antenna FCC - BLACK
72029-FG	A1115 Antenna ETSI - WHITE
72030-FG	A1115 Antenna FCC - WHITE

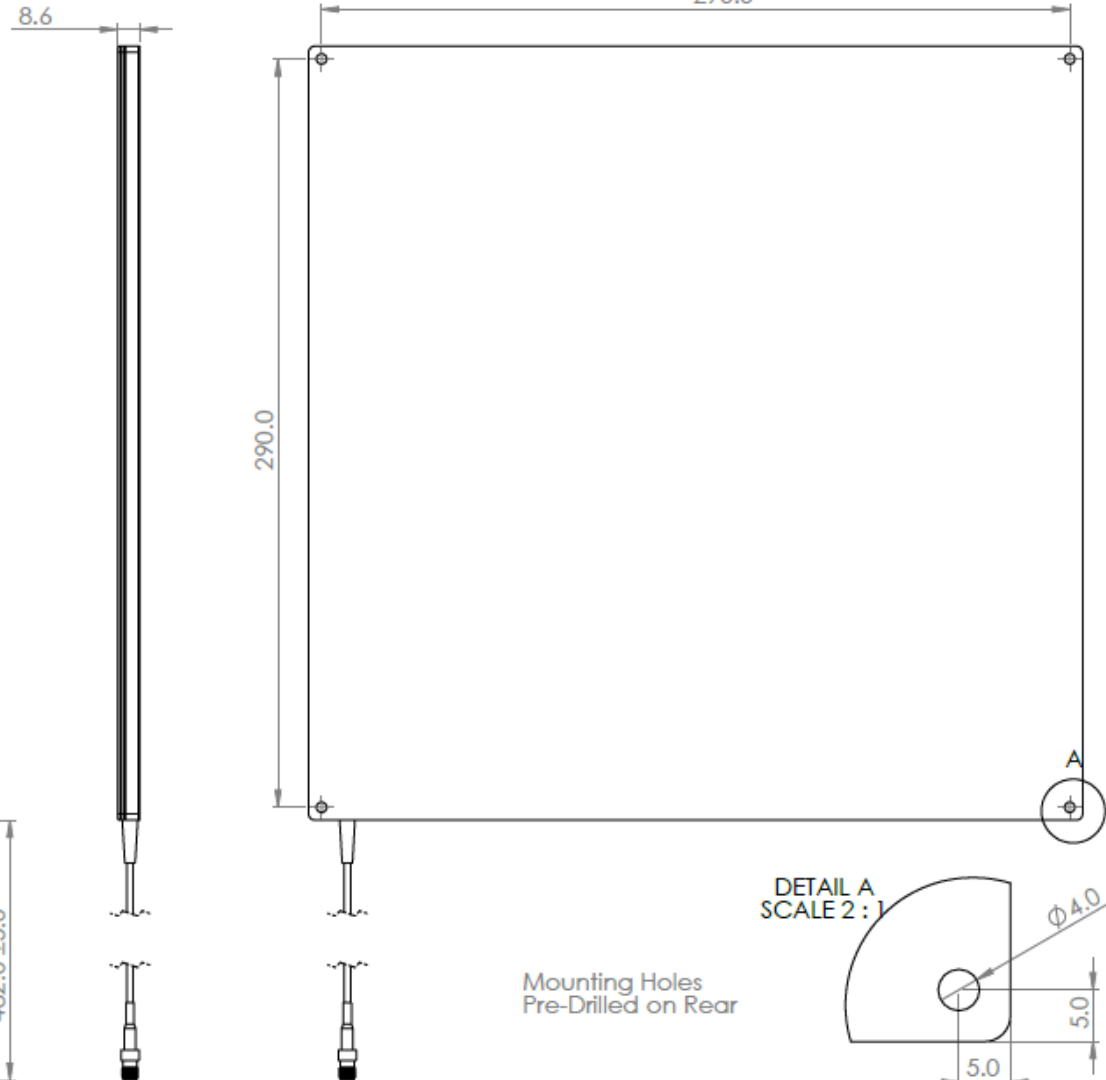
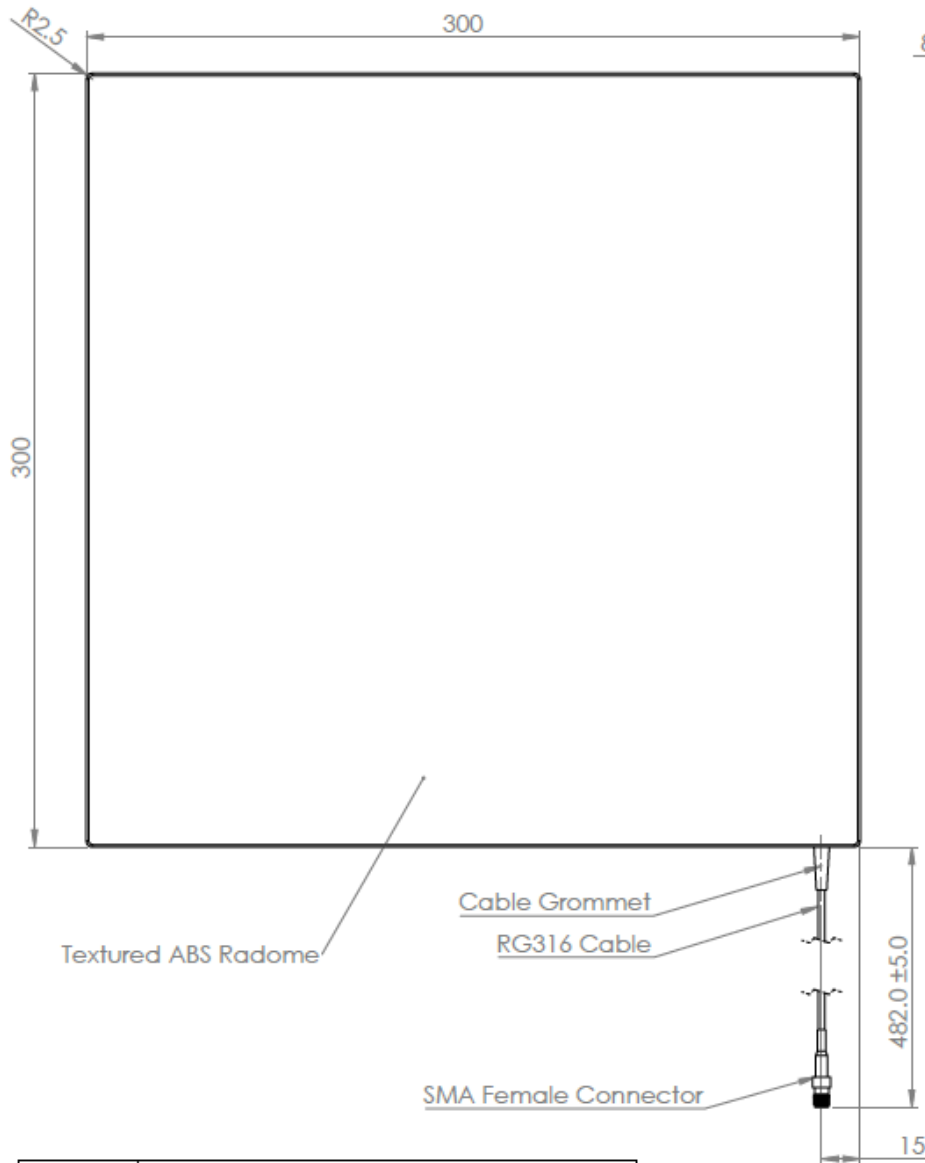
<small>THE INFORMATION CONTAINED IN THIS DRAWING IS THE SOLE PROPERTY OF TIMES-7 LTD. ANY REPRODUCTION IN PART OR AS A WHOLE WITHOUT THE WRITTEN PERMISSION OF TIMES-7 IS PROHIBITED.</small>	<small>DIMENSIONS ARE IN mm</small> UNLESS OTHERWISE SPECIFIED TOLERANCES: NO DECIMAL PLACES ± 1 ONE PLACE DECIMAL ± 0.5		DESCRIPTION
	DRAWN C Wilson	SIGNATURE 	DATE 28/03/2019
APPROVED R Lopez	SIGNATURE 	DATE 01/04/2019	SIZE A3 PART NO. See Table REV A
DO NOT SCALE DRAWING			SHEET 1 OF 1

Mechanical Drawing for A1130 NF



TOP VIEW

BOTTOM VIEW



Part No.	Description
72022-FG	A1130 Antenna ETSI - BLACK
72023-FG	A1130 Antenna FCC - BLACK
72025-FG	A1130 Antenna ETSI - WHITE
72026-FG	A1130 Antenna FCC - WHITE

THE INFORMATION CONTAINED IN THIS DRAWING IS THE SOLE PROPERTY OF TIMES-7 LTD. ANY REPRODUCTION IN PART OR AS A WHOLE WITHOUT THE WRITTEN PERMISSION OF TIMES-7 IS PROHIBITED.

DRAWN
C Wilson

APPROVED
R Lopez

DIMENSIONS ARE IN mm
UNLESS OTHERWISE SPECIFIED
TOLERANCES:
ONE PLACE DECIMAL ± 0.5
TWO PLACE DECIMAL ± 0.05

SIGNATURE
[Signature]

SIGNATURE
[Signature]

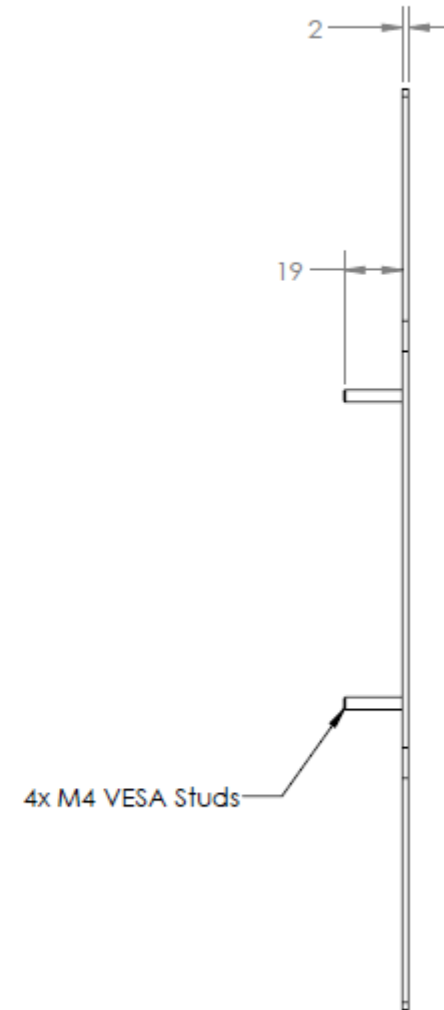
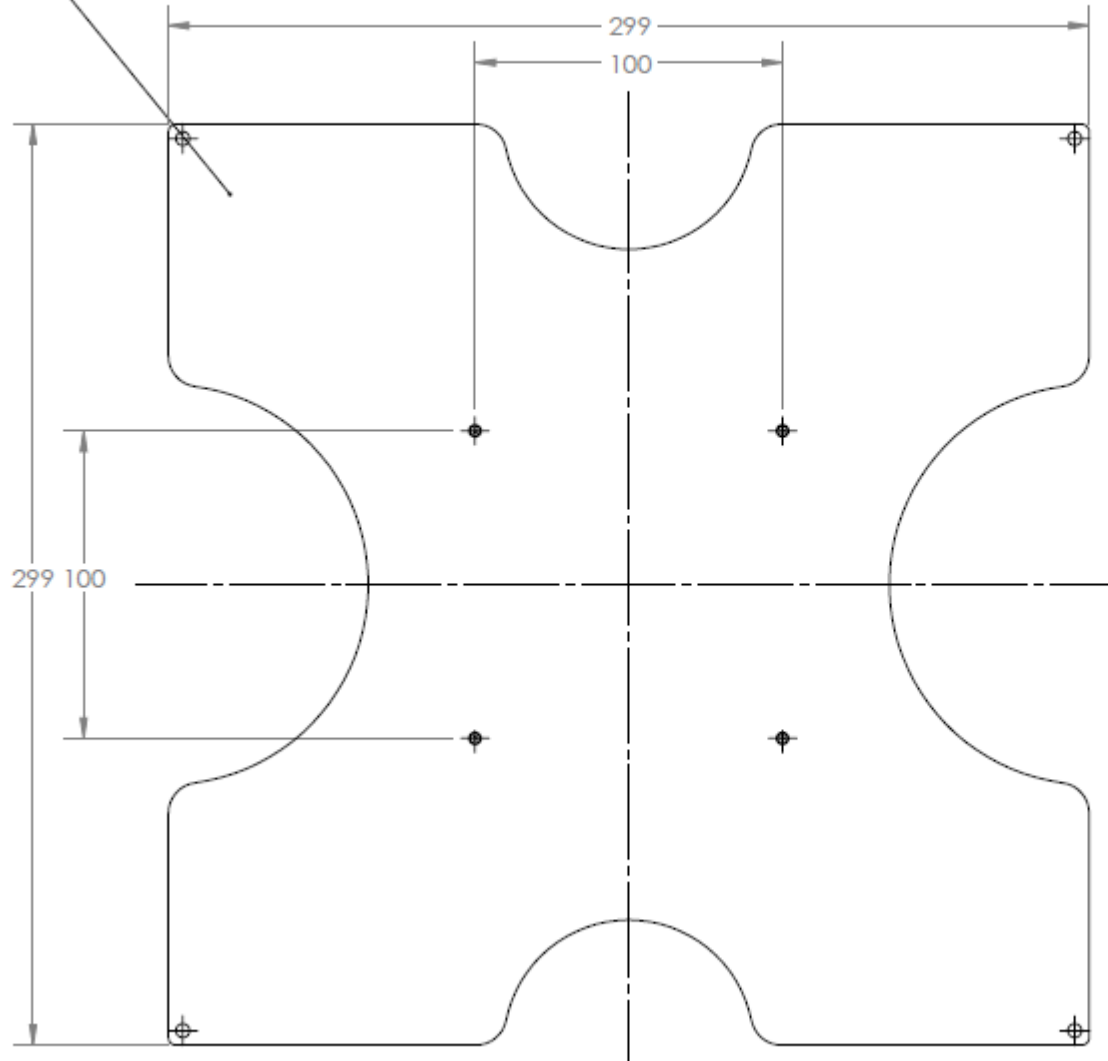
DATE
28/03/2019

DATE
01/04/2019

DESCRIPTION			
A1130 Near Field Antenna			
SIZE A3	PART NO. See Table	REV A	
DO NOT SCALE DRAWING			SHEET 1 OF 1

Mechanical Drawing for Mounting Plate for A1130

White Powdercoated
Aluminium

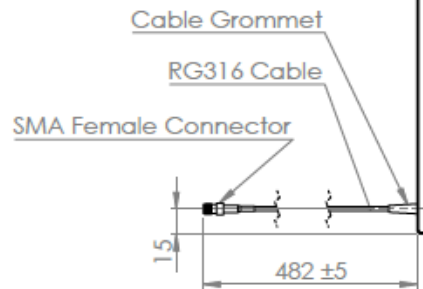
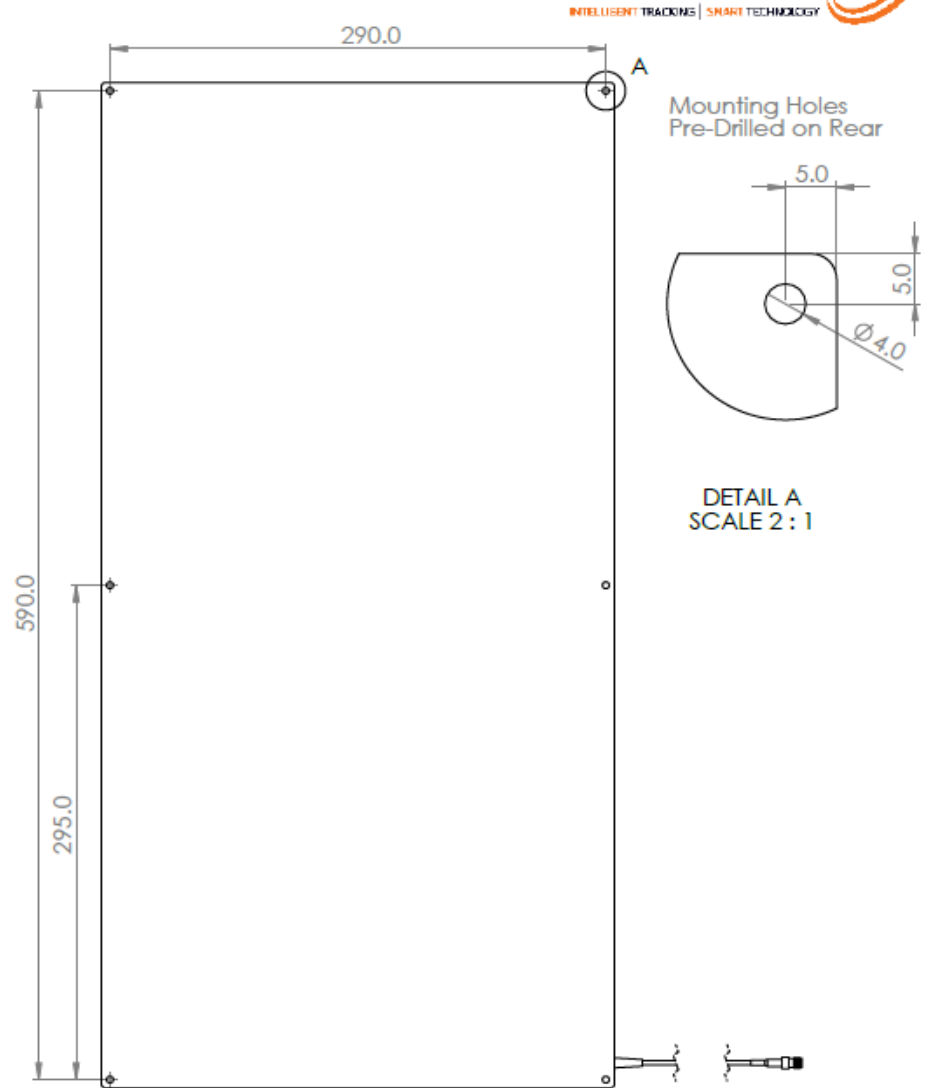
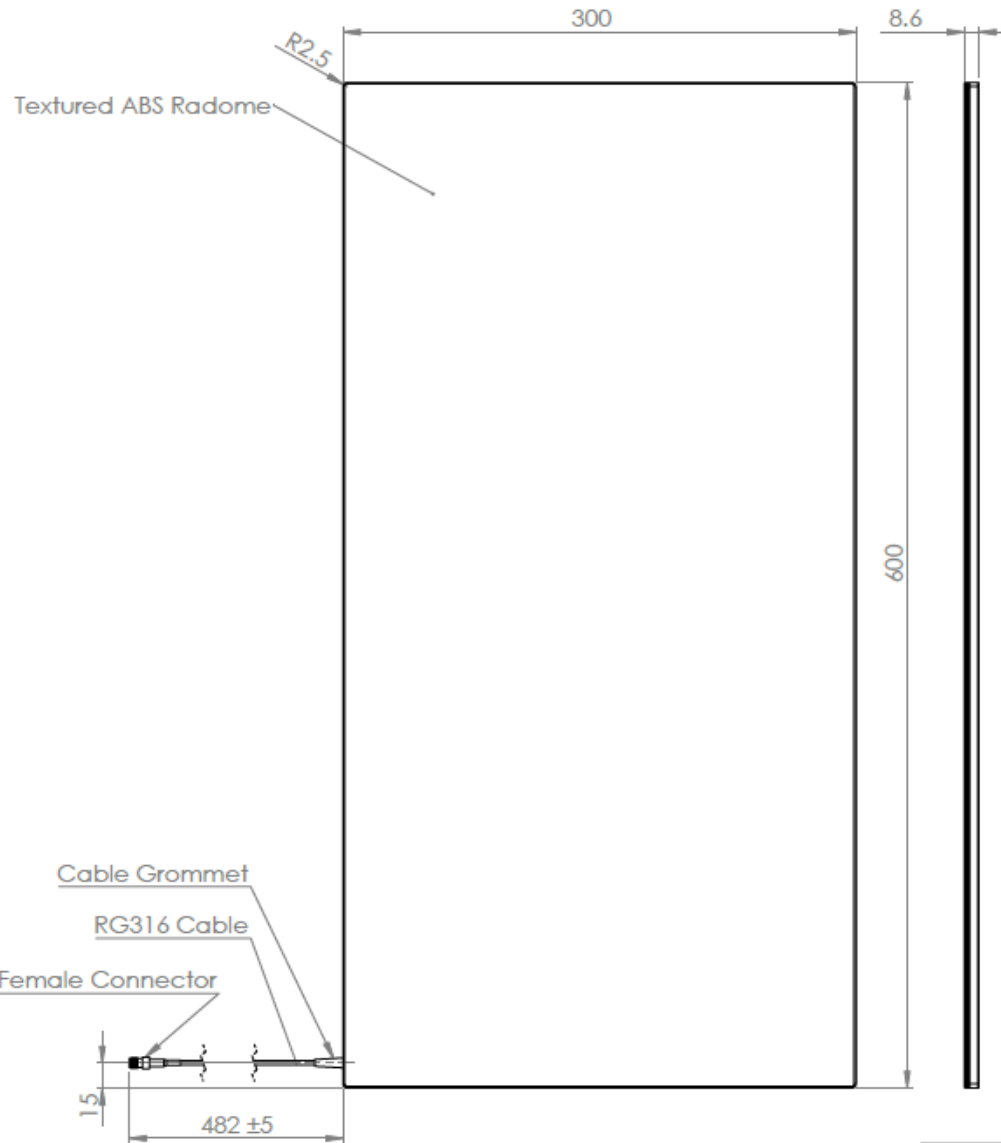


Mechanical Drawing for A1163 NF



TOP VIEW

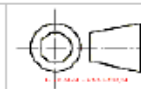
BOTTOM VIEW



Part No.	Description
72031-FG	A1163 Antenna ETSI - BLACK
72032-FG	A1163 Antenna FCC - BLACK
72033-FG	A1163 Antenna ETSI - WHITE
72034-FG	A1163 Antenna FCC - WHITE

THE INFORMATION CONTAINED IN THIS DRAWING IS THE SOLE PROPERTY OF TIMES-7 LTD. ANY REPRODUCTION IN PART OR AS A WHOLE WITHOUT THE WRITTEN PERMISSION OF TIMES-7 IS PROHIBITED.

DIMENSIONS ARE IN mm
UNLESS OTHERWISE SPECIFIED
TOLERANCES:
ONE PLACE DECIMAL ± 0.5
TWO PLACE DECIMAL ± 0.05



DESCRIPTION
A1163 Near Field Antenna

DRAWN
C Wilson

SIGNATURE
C Wilson

DATE
28/03/2019

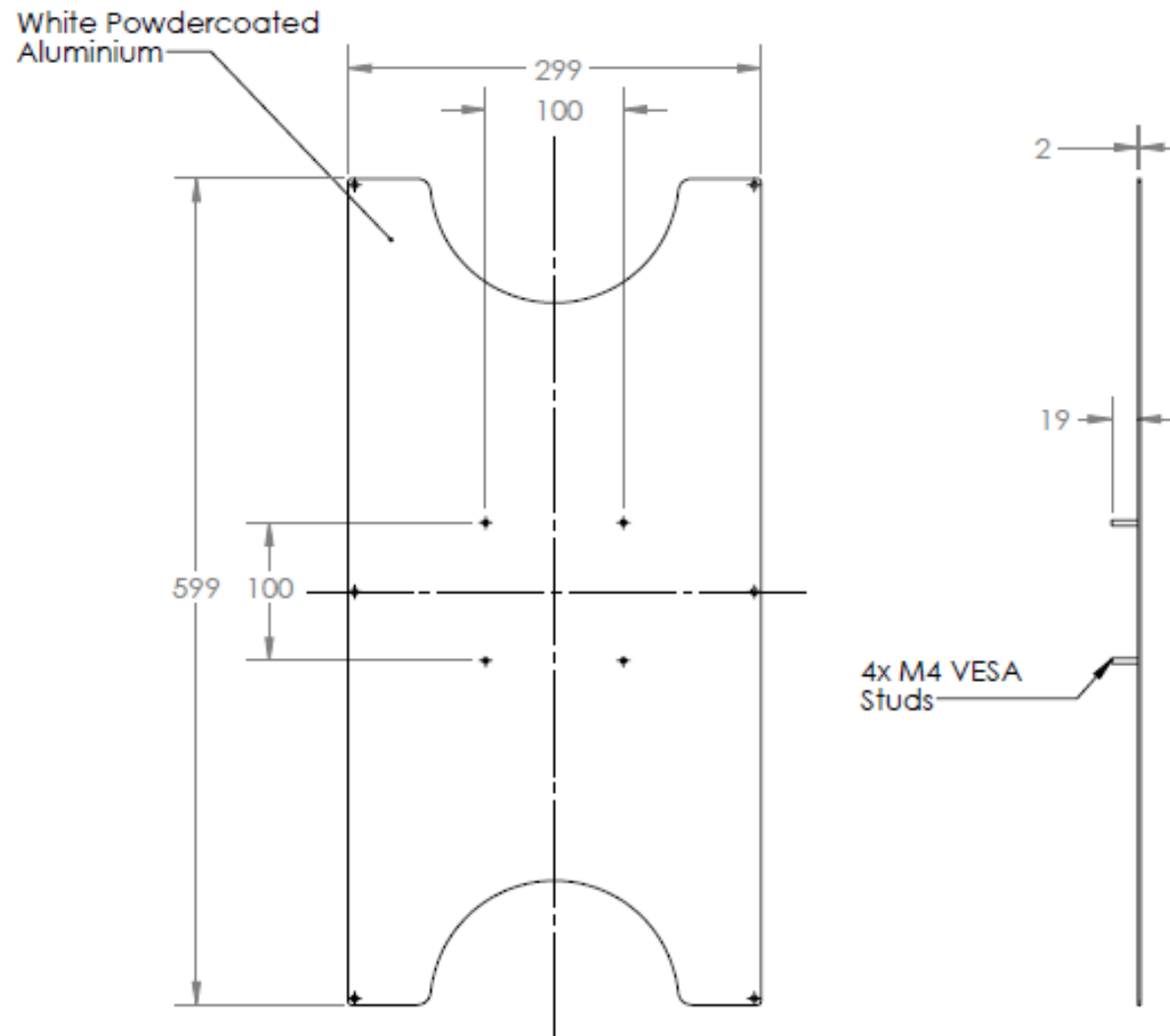
APPROVED
R Lopez

SIGNATURE
R Lopez

DATE
01/04/2019

SIZE **A3** PART NO. See Table REV **A**

DO NOT SCALE DRAWING SHEET 1 OF 1



Applications



Metal and liquids

True NearField™ antennas are ideal for applications which involve metal or liquids. Using their near-field energy only they are not affected by the side effects of these challenging materials and provide consistent read ranges and reliable tag reads.



POS

Using a near-field antenna for POS systems is a great way to reduce the time identifying each item at the check-out counter. An NF antenna can instantly and correctly identify all items that are placed on the antenna so long as the items are tagged appropriately while avoiding stray reads by passing items.



Shelving

The proximity read range of near field antennas used in shelving applications allows for tracking items on each individual shelf avoiding stray reads in adjacent shelves or items which are passing by. This allows for a more defined and focused read area, in which you gain visibility over the items that you want to track.

GLOBAL SUPPORT

In addition to our world-class products and in-depth expertise, Times-7 is known for their quality of customer service and technical support. We place emphasis on our responsiveness in supporting a large global customer base and ensuring the success of our customer's implementations.

Times-7 Research Ltd
29 Railway Avenue
Lower Hutt 5010
New Zealand

NEW ZEALAND
P: +64 4 974 6566

NORTH AMERICA
P: +1 408 769 5025

E: sales@times-7.com

www.times-7.com

The technical data contained in this publication is not a guarantee for which Times-7 Research Ltd assumes legal accountability. It is indicative of typical performance, and if required should be relied on for specific applications only after due verification.

All technical data, specifications and other information contained herein are deemed to be the proprietary intellectual property of Times-7 Research Ltd. No reproduction, copy or use thereof may be made without the express written consent of Times-7 Research Ltd.

Times-7, and the stylized T-7 Antennas logo are trademarks or registered trademarks of Times-7 Research Ltd. All other trademarks are the property of their respective owners.

© 2020 Times-7 Research Ltd. All rights reserved. Specifications are subject to change without notice.

Datasheet v2.0