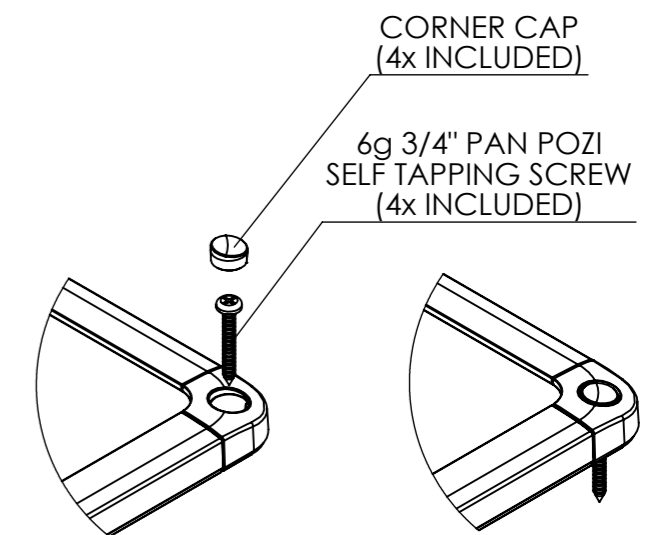
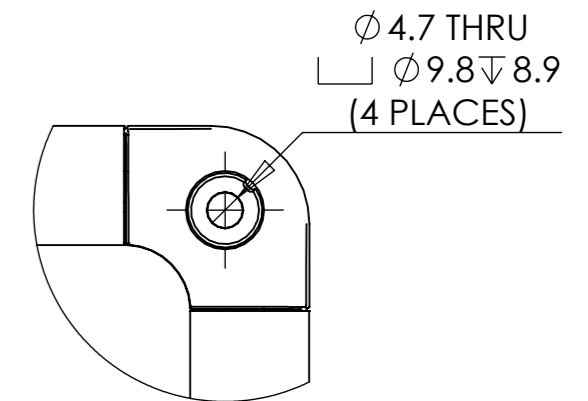
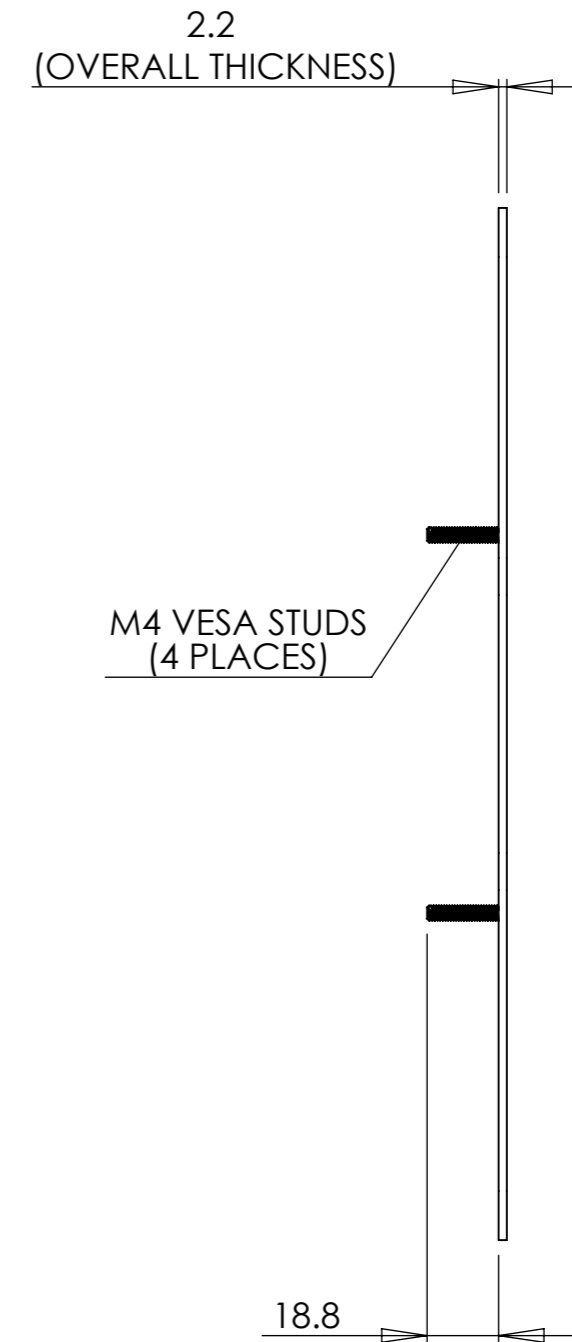
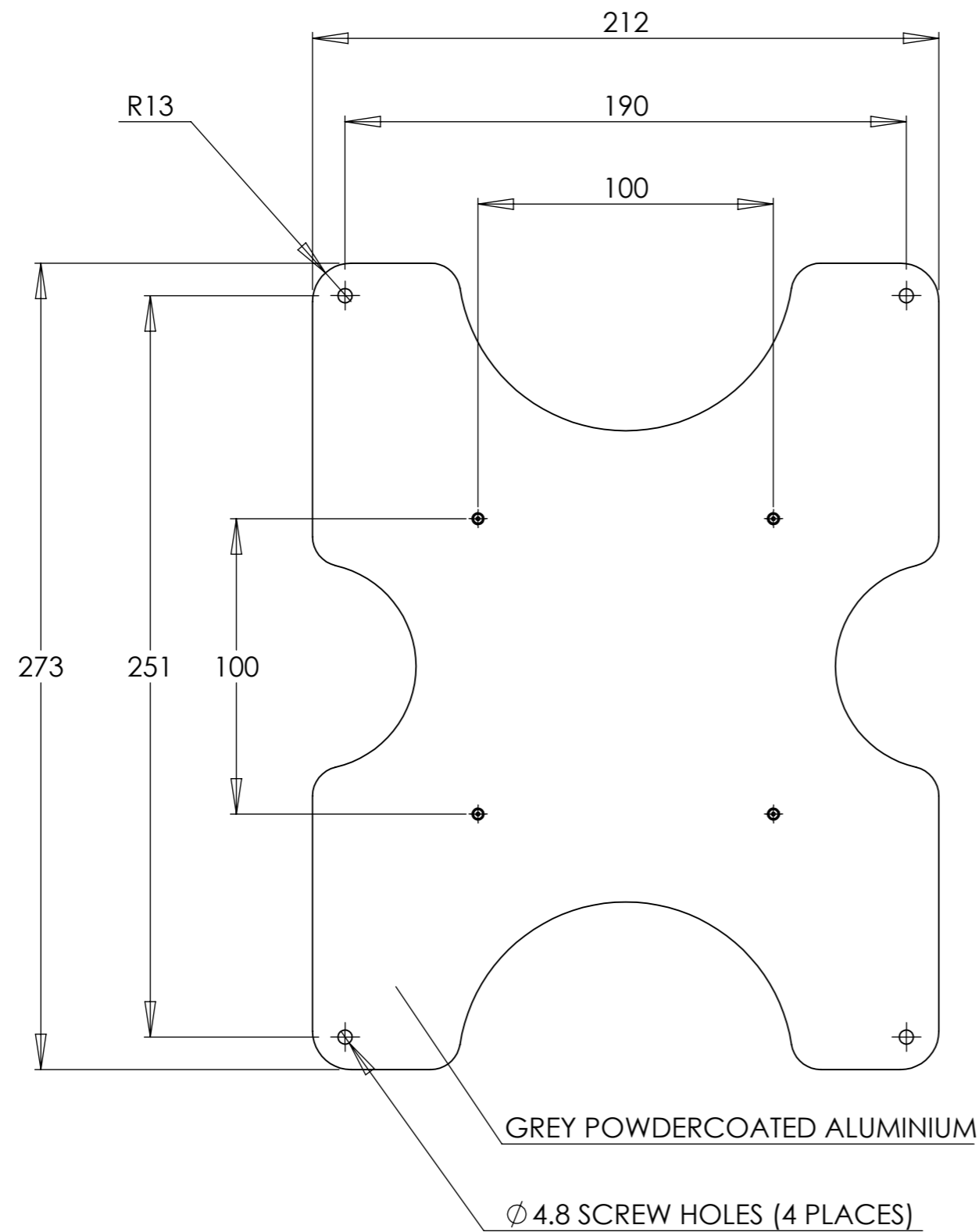


12.2
(OVERALL THICKNESS)



<p>THE INFORMATION CONTAINED IN THIS DRAWING IS THE SOLE PROPERTY OF TIMES-7 LTD. ANY REPRODUCTION IN PART OR AS A WHOLE WITHOUT THE WRITTEN PERMISSION OF TIMES-7 IS PROHIBITED.</p>		<p>DIMENSIONS ARE IN mm UNLESS OTHERWISE SPECIFIED TOLERANCES: NO DECIMAL PLACES ± 1 ONE PLACE DECIMAL ± 0.5</p>				<p>DESCRIPTION A6031 Circularly Polarised Antenna</p>	
<p>DRAWN BY: M. Price</p>		<p>DATE: 21-5-19</p>		<p>SIZE A3</p>		<p>PART NO. 70804 (ETSI), 70810 (FCC)</p>	
<p>APPROVED BY: P. Wilcock</p>		<p>DATE: 11-6-19</p>		<p>REV D</p>		<p>DO NOT SCALE DRAWING</p>	
						<p>SHEET 1 OF 3</p>	



<p>THE INFORMATION CONTAINED IN THIS DRAWING IS THE SOLE PROPERTY OF TIMES-7 LTD. ANY REPRODUCTION IN PART OR AS A WHOLE WITHOUT THE WRITTEN PERMISSION OF TIMES-7 IS PROHIBITED.</p>	<p>DIMENSIONS ARE IN mm UNLESS OTHERWISE SPECIFIED TOLERANCES: NO DECIMAL PLACES ± 1 ONE PLACE DECIMAL ± 0.5</p>		DESCRIPTION	
			A6031 Mounting Bracket	
<p>DRAWN BY: M. Price</p>	<p>DATE: 21-5-19</p>	<p>SIZE A3</p>	<p>PART NO. 71631</p>	<p>REV D</p>
<p>APPROVED BY: P. Wilcock</p>	<p>DATE: 11-6-19</p>	DO NOT SCALE DRAWING		SHEET 2 OF 3